

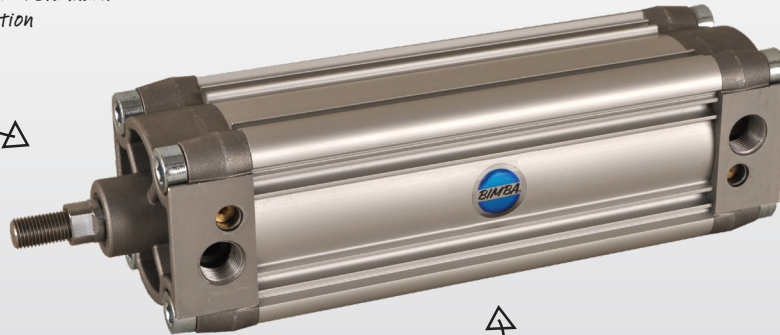


### Reduce Complexity

- Universal mount & MS4 standard
- Bolt-on NFPA selection

### Auto Cushioning System

- No adjustment required, actuator auto-adapts to application
- Fit and forget



### Flexibility

- Integral switch mounting grooves on three sides of profile tube

### Modern Appearance

- Smooth end caps contoured to profile tube for easy cleaning
- Improve machine appearance

### Various Options

- Optional Ecology Piston Seal for impact dampening
- 5 bore sizes
- Double rod and back-to-back configurations

We make things **MOVE**

## PA Series NFPA Actuator

## High performance pneumatics at a competitive price.

The PA Series NFPA actuator provides a versatile, cost effective solution for a variety of applications. Its lightweight construction and modern design are only matched by flexible mounting configurations and a number of standard features.

Standard features like Auto Cushioning System and magnetic piston allow the PA Series simple installation and operation, reducing complexity and promoting longer machine life. A variety of options are available to make the PA Series the perfect fit within your most challenging applications.

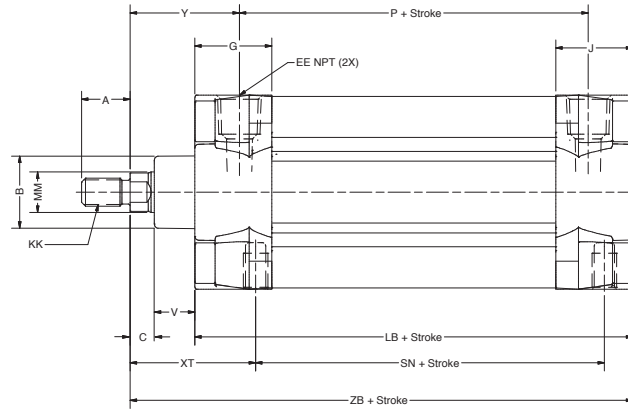
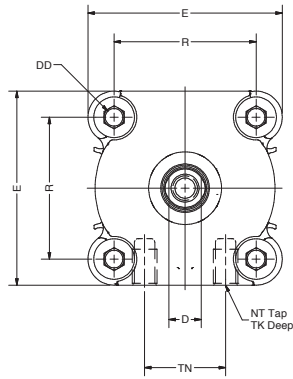
### Benefits:

- > Outfitted with an Auto Cushioning System for "Fit & Forget" solutions
- > Magnetic piston included as standard with switch grooves on three sides for greater flexibility
- > Optional Ecology Piston Seal
  - Reduces impact and vibration to prevent damage to machinery, reducing downtime
  - Decreases noise levels for a more pleasant work environment, meeting OSHA guidelines
  - Moves quickly through the cushion for a faster cycle time and increased productivity

### Technical Features:

- > Operating Pressure:
  - 250 PSIG
- > Bore Sizes:
  - 1.50", 2.00", 2.50", 3.25", 4.00"
- > Strokes:
  - 0.125" - 100"
- > Operating Temperature:
  - +25° to 175°F (-4° to 80°C)
- > Materials:
  - Rod: Chrome plated high-strength carbon steel
  - Rod Bushing: Polymer insert
  - Head/Cap: Die cast aluminum
  - Tube: Clear anodized aluminum extrusion, hard coat anodized ID
  - Piston: Polymer

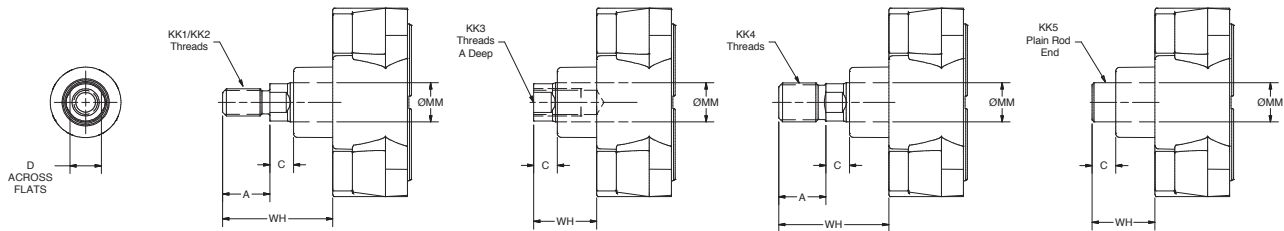
## Basic Dimensions: NFPA MS4 & Sleeve Nut Construction



Bore	MM Ø	B Ø	DD	E	EE	G	J	LB	NT	TK
1.50	0.625	1.124	1/4-28	2.000	3/8 NPT	1.188	1.188	3.625	1/4-20	0.375
2.00	0.625	1.124	5/16-24	2.500	3/8 NPT	1.188	1.188	3.625	5/16-18	0.375
2.50	0.625	1.124	5/16-24	3.000	3/8 NPT	1.228	1.147	3.750	3/8-16	0.500
3.25	1.00	1.499	3/8-24	3.750	1/2 NPT	1.438	1.438	4.250	1/2-13	0.750
4.00	1.00	1.499	3/8-24	4.500	1/2 NPT	1.438	1.438	4.250	1/2-13	0.750

Bore	P	R	SN	TN	V	C	XT	Y	ZB
1.50	2.391	1.428	2.250	0.625	0.625	0.375	1.938	1.618	4.625
2.00	2.250	1.838	2.250	0.875	0.625	0.375	1.938	1.688	4.625
2.50	2.375	2.192	2.375	1.250	0.625	0.375	1.938	1.688	4.750
3.25	2.576	2.758	2.625	1.500	0.875	0.500	2.438	2.213	5.625
4.00	2.576	3.324	2.625	2.063	0.875	0.500	2.438	2.213	5.625

## Rod Ends



Bore	MM Ø	Thread Type	Rod Thread	A	C	D (Flats)	WH
1.50 2.00 2.50	0.625	KK1	7/16-20	0.75	0.375	0.50	1.75
		KK2	1/2-20	0.75	0.375	0.50	1.75
		KK3	7/16-20	0.75	0.375	0.50	1.00
		KK4	5/8-18	0.75	0.375	0.50	1.75
		KK5	—	—	0.375	—	1.00
3.25 4.00	1.00	KK1	3/4-16	1.125	0.50	0.813	2.50
		KK2	7/8-14	1.125	0.50	0.813	2.50
		KK3	3/4-16	1.125	0.50	0.813	1.375
		KK4	1-14	1.125	0.50	0.813	2.50
		KK5	—	—	0.50	—	1.375



### Bimba

25150 S. Governors Hwy  
University Park, IL 60484

Tel: +1 800 44 BIMBA

Fax: +1 708 235 2014

Email: cs@imi-precision.com

Website: www.bimba.com

Due to our policy of continuous development, Bimba reserve the right to change specifications without prior notice.

IMI Precision Engineering operates four global centres of technical excellence and a sales and service network in 75 countries, as well as manufacturing capability in the USA, Germany, China, UK, Switzerland, Czech Republic, Mexico and Brazil.

For information on all IMI Precision Engineering companies visit [www.imi-precision.com](http://www.imi-precision.com)

**Supported by distributors worldwide.**